



LOOP POWERED INDICATOR : SERIES 2211 - EX

SALIENT FEATURES

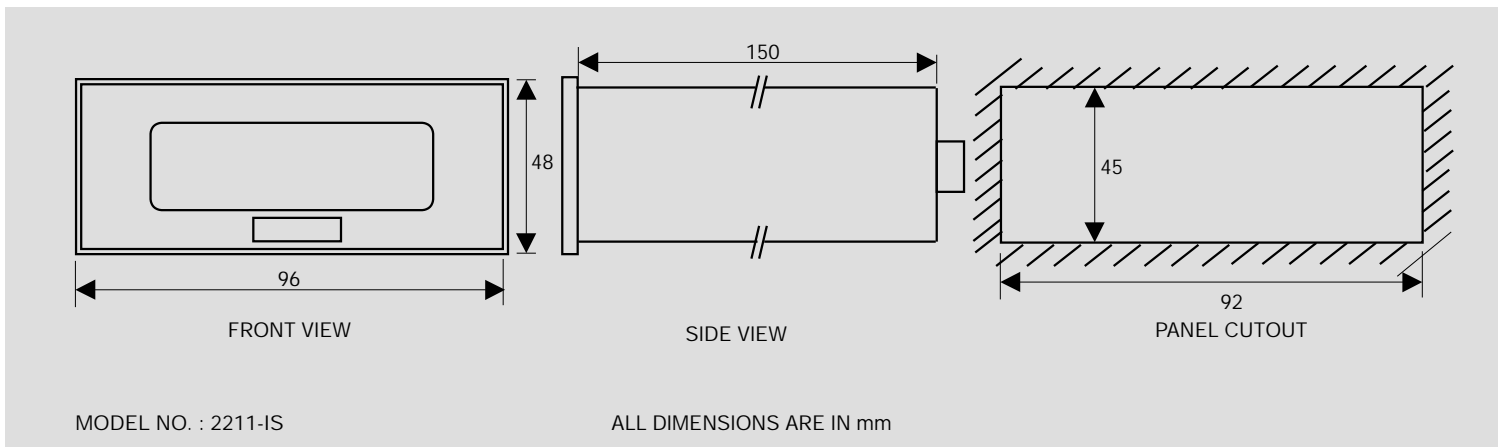
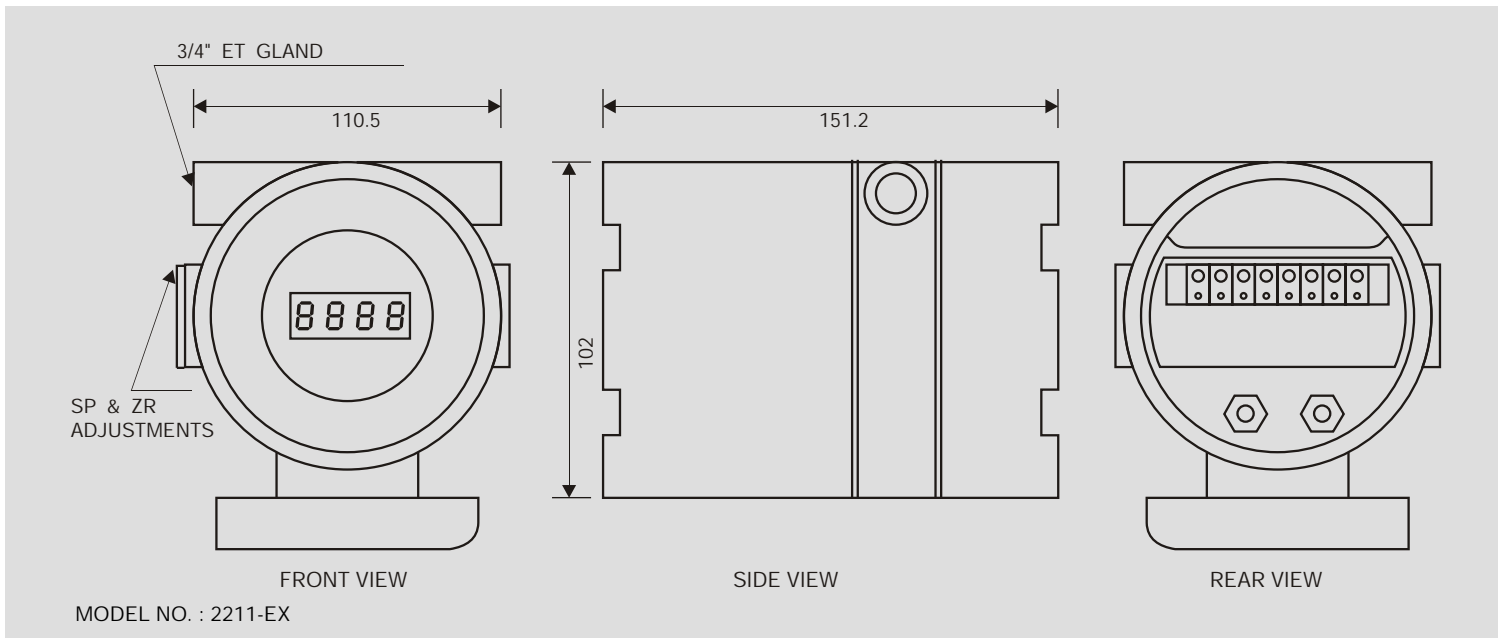
- 4-20mA d.c. Input. Drop less than 1 V.
- Weather-proof / Ex-proof AI-casted enclosure.
- 3½ digit LCD display.
- Built in reference for easy calibration.
- Any Full Scale Calibration with DIP Switches.

The Model 2211-EX Digital Indicator enables the process variables to be displayed locally inside the plant; in any engineering units. These are powered by the 4 -20 mA d.c. signal from a 2-wire transmitter, requiring no external supply or batteries. The drop across the terminals is less than 1V & being non-voltage producing device, can be directly used in hazardous area. The unit is housed in aluminium casted weather-proof / Ex-proof casing. Another model 2211-IS is the panel mounting type.

**TECHNICAL SPECIFICATIONS :

INPUT	:	4 - 20 mA d.c.
LOOP VOLTAGE DROP	:	Less than 1V d.c.
DISPLAY	:	3½ digit LCD, 0.5" height.
ACCURACY	:	Better than ±0.25% of F.S.
RANGE ADJUSTMENT	:	±200 to ±1999 by DIP Switches.
ZERO ELEVATION/SUPPRESSION	:	-1000 counts to +1000 counts.
OPERATING TEMP.	:	0 to 50 °C.
TEMPERATURE DRIFT	:	±0.02 % / °C max. of F.S.
HUMIDITY	:	90 % R. H. max. non condensing.
TERMINAL ENTRY	:	¾" ET. Others on request.
TERMINALS	:	Suitable for 1.5 mm ² wires.
MOUNTING	:	Field, 2" Pipe mounting (2211-EX) Flush Panel mounting (2211-IS)
DIMENSIONS	:	Refer drawings overleaf.
ENCLOSURE	:	Aluminium casted weather-proof (IP 65). Ex-proof (class IIA & IIB): 2211-EX Powder coated, Steel sheet construction : 2211-IS

** Due to continuous developments, specifications are subject to change without prior notice.



ORDERING INFORMATION

MODEL NO.	DESCRIPTION
2211-EX	Loop Powered Indicator - Field Mounted
2211-IS	Loop Powered Indicator - Panel Mounted

manas microsystems pvt. ltd.

REGD. OFFICE : ROW HOUSE NO. 5, PARVATI PARK, DATTAWADI, PUNE 411 030

WORKS : EL 54 ELECTRONIC ZONE, M.I.D.C. BHOSARI, PUNE 411 026. (INDIA)

TEL. : 020-27127044, 27127047, 27127858 FAX : 020-27127045 E-mail : manasmicro@vsnl.com

WEBSITE : www.manasmicro.com

