

## BULK TYPE ULTRASONIC FLOW METER

Model : PS 3000 ( Paraswanik SROAT )

### Features :

- Battery Operated ( Battery Life 5 Years )
- Sizes Available from 2" to 14".
- Maintenance – free meter where no external power sources are available.
- Self-adjusting transducer receiving circuit continually adapts to changing pipe diameters due to scaling or corrosion.
- The meter contains No moving parts & does not require any external power supply.
- Highly Accurate & Reliable.
- Fast response to flow transits.
- Unique housing design rated to IP 68.

### Description :

Manas have now introduced a new Bulk type Ultrasonic Flow Meter Series. This meter operates on digital process technology with stable & permanent Piezo-Seal sensor. It is available with integral version of transmitter.

Bulk type Ultrasonic Flow meter is a battery operated and transit-time Flow meter utilizing advanced digital processing technology. It is specifically designed where Electric supply is not available & accurate flow measurement is essential.

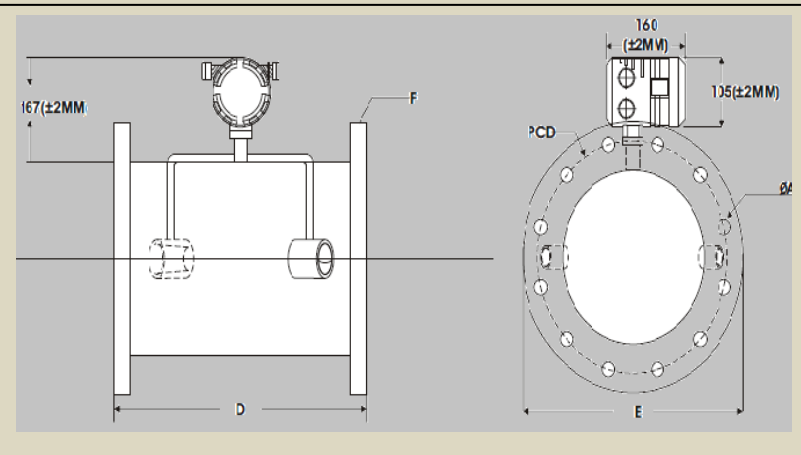
### \*Technical Specifications

<b>Meter Size</b>	: DN 50 – DN 350
<b>Pressure</b>	: Up to DN 80 - PN 40 From DN 100 to DN 200 - PN 16 From DN 250 to DN 350 - PN 10
<b>Media Temperature</b>	: 5°C to 70°C ( for Water )
<b>Ambient Temperature</b>	: 0 - 50° C
<b>Output</b>	: RS485, 4-20 mA, Pulse for total flow. ( All outputs need external power supply )
<b>GSM Facility</b>	: Optionally Available.
<b>Local Display</b>	: 2 Line LCD Display For instantaneous Flow rate, Totalizer, Engg. Units, Fault messages, etc.
<b>Accuracy</b>	: $\pm 1$ % of Actual Flow Rate
<b>Repeatability</b>	: $\pm 0.2$ % of reading.
<b>Flow Velocity</b>	: 0.2 m/s to 12 m/s
<b>Power Supply</b>	: 3.6 V Lithium battery ( Up to 5 years life )
<b>Ingress Protection</b>	: IP 68



## Meter Dimensions ( mm )

## ORDERING INFORMATION :



### Note :

1. All dimensions are in mm.
2. Dimensions are with ANSI B 16.5, class 150 flanges with terminal box.
3. PRODUCTION STANDARD FLANGES :  
ANSI B 16.5, class 150 up to DN125  
BS10, Table E for DN 150 & DN 200  
BS10, Table F for DN 250 to DN 350

**Table for Meter Dimensions MEGA – SROAT (mm)**

DN (mm)	D	E
50	275	152.4
65	285	177.8
80	300	190.5
100	325	228.6
125	350	254
150	375	279.4
200	425	336.5
250	525	431.8
300	575	489
350	625	552.5

FLOW METER SIZE	
DN 50	: 2"
DN 65	: 2 ½"
DN 80	: 3"
DN 100	: 4"
DN 125	: 5"
DN 150	: 6"
DN 200	: 8"
DN 250	: 10"
DN 300	: 12"
DN 350	: 14"

FLANGE / END CONNECTION	
ANSI 150	: ANSI 150
BS 10,	: BS 10E
BS 10,	: BS 10F
Any Other	: ZZ

FLANGE / END CONNECTION MATERIAL	
Mild / Carbon Steel	: MS / CS
Stainless Steel	: SS304
Stainless Steel	: SS316
Any Other	: ZZ

Pipe MATERIAL	
Stainless Steel SS304	: SS304
Stainless Steel SS316	: SS316
Any Other	: ZZ

Communication Facility	
RS232	: RS2
RS485	: RS4
GSM	: GSM
Not Applicable	: NA

POWER SUPPLY	
Battery Operated	: 3.6 V

DN50    ANSI 150    CS    SS304    NA    3.6 V

Sample Order Code

\* Due to continuous development specifications are subject to change without prior notice.

## manas microsystems pvt. ltd.

WORKS : EL-54, ELECTRONIC ZONE, J-Block, M.I.D.C., Bhosari, PUNE - 411026. (INDIA)

Phone No.:- +91-020-27127044 / 27127858 / +91 7722034924

Fax No.:- +91-020-27127045, Mob No : 91 9975598938 / 39

Email: [mktg@manasmicro.com](mailto:mktg@manasmicro.com), [manasmicro@gmail.com](mailto:manasmicro@gmail.com)

Website: [www.manasmicro.com](http://www.manasmicro.com) / [www.flowmeterindia.in](http://www.flowmeterindia.in) / [www.manasmicro.in](http://www.manasmicro.in)

